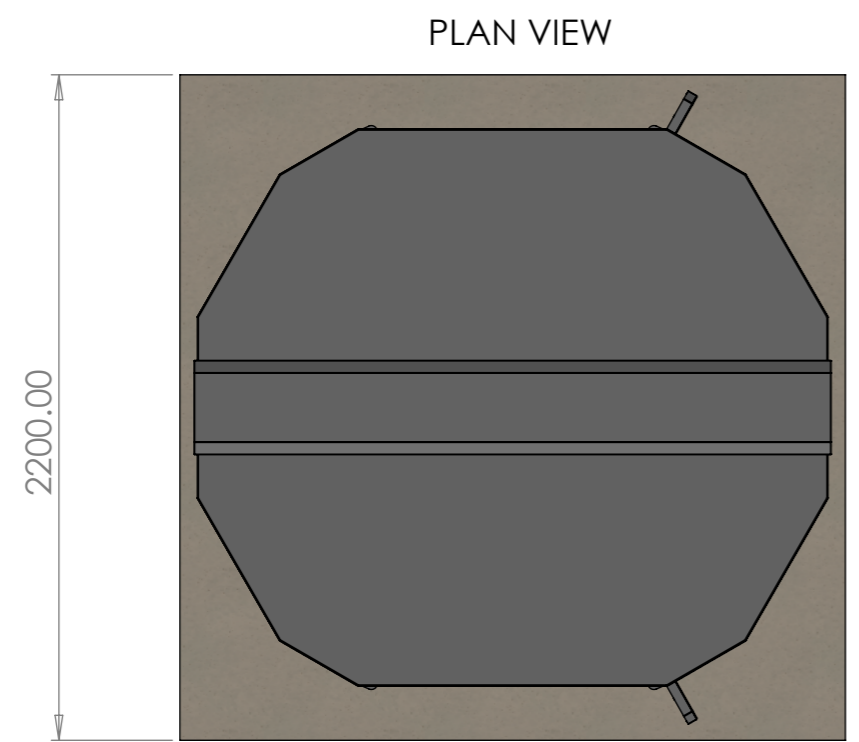
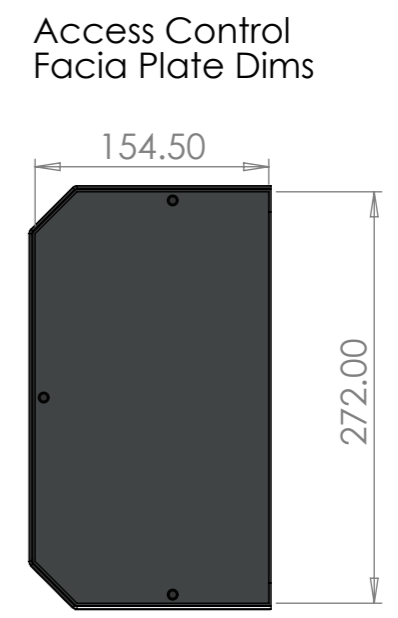
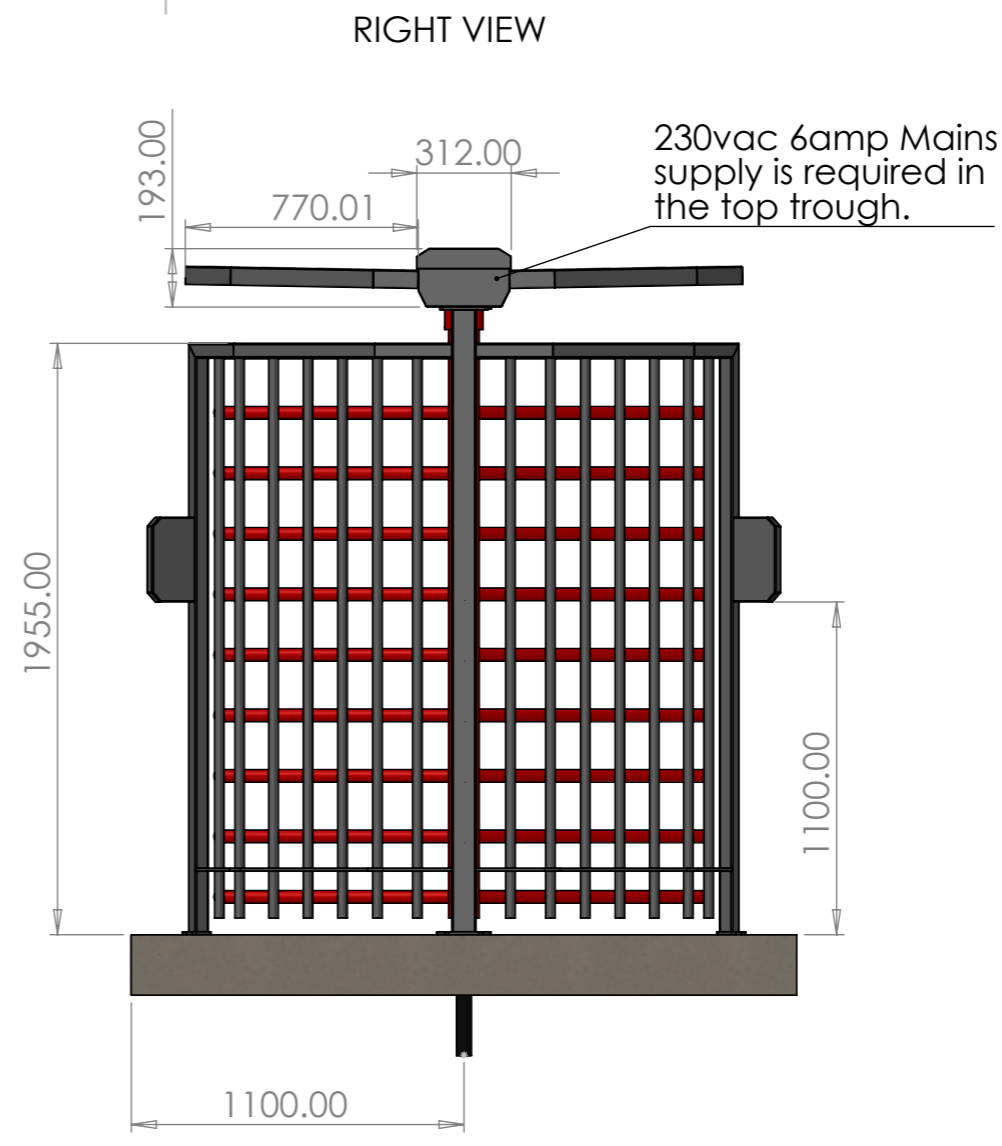
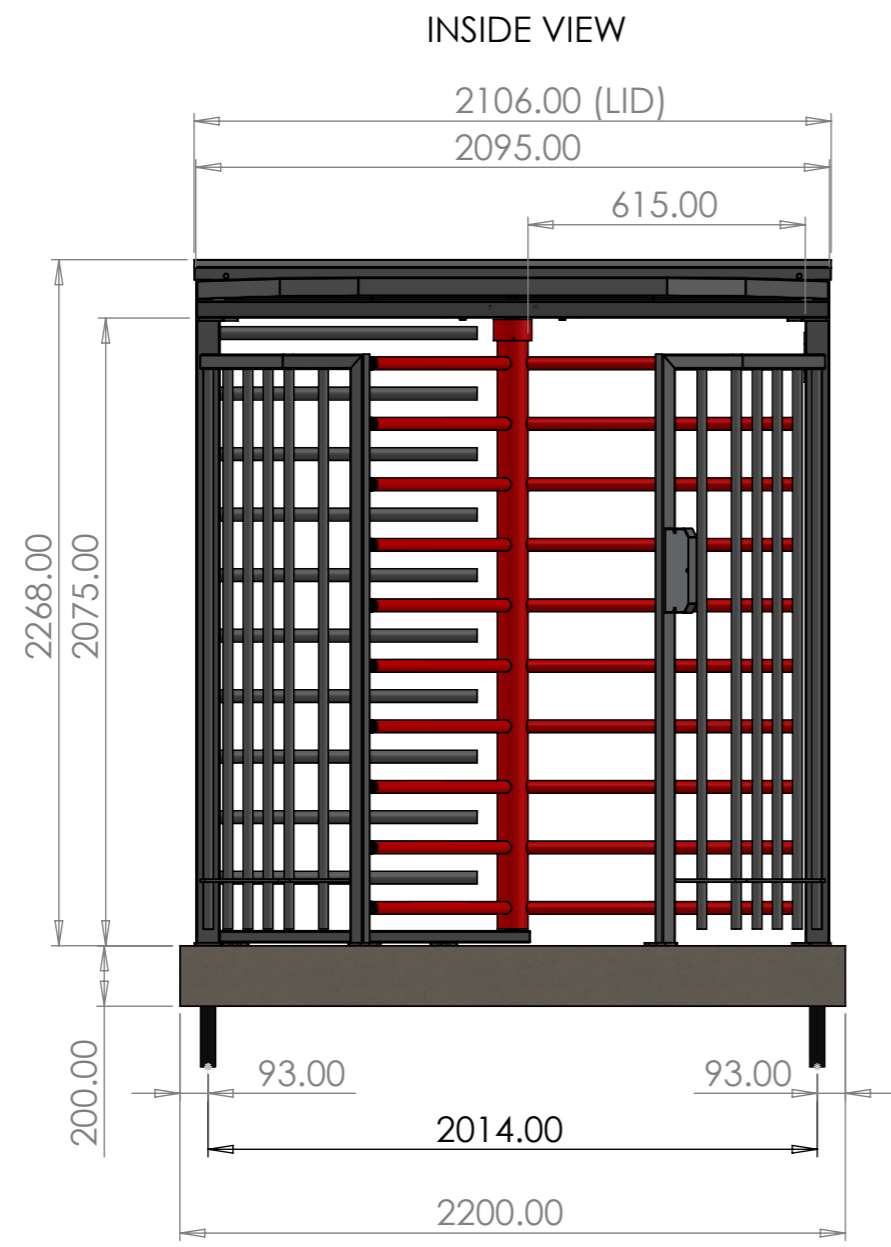


D4150

D4150 With Canopy

UNLESS OTHERWISE SPECIFIED: DIMENSIONS ARE IN MILLIMETERS SURFACE FINISH: TOLERANCES: LINEAR: ANGULAR:			FINISH:  RAL 7016 frame with RAL 3020 Rotor		DEBURR AND BREAK SHARP EDGES		DO NOT SCALE DRAWING		REVISION					
							Dwg No							
							D4150 900 Opening							
							TITLE:							
							DRAWN		A Mcginley		DATE		01/07/22	
							CHK'D				DATE			
							APPV'D				DATE			
							MFG				DATE			
							Q.A				DATE			
							MATERIAL:				DWG NO.		D4150 Ver 2.0900	
							WEIGHT:				SCALE:1:50		SHEET 1 OF 2	
													A3	



**Civils Note**  
 All foundations MUST be flat and level with each other,  
 Concrete MUST be grade C35 and MUST be poured 7 x days  
 prior the the gate being installed. All Ducting MUST be 50mm  
 minimum ID and must have pull ropes in. The Turnstiles will be bolted  
 down using M12 Self expanding bolts.

UNLESS OTHERWISE SPECIFIED: DIMENSIONS ARE IN MILLIMETERS		FINISH: RAL 7016 frame with RAL 3020 Rotor		DEBURR AND BREAK SHARP EDGES		DO NOT SCALE DRAWING		REVISION	
SURFACE FINISH:						Dwg No			
TOLERANCES:									
LINEAR:						TITLE: D4150 900 Opening			
ANGULAR:									
NAME	SIGNATURE	DATE				DWG NO. D4150 Ver 2.0900			
DRAWN A Mcginley		01/07/22							
CHK'D						SCALE:1:50			
APPV'D									
MFG						SHEET 2 OF 2			
Q.A									
				MATERIAL:					
				WEIGHT:					