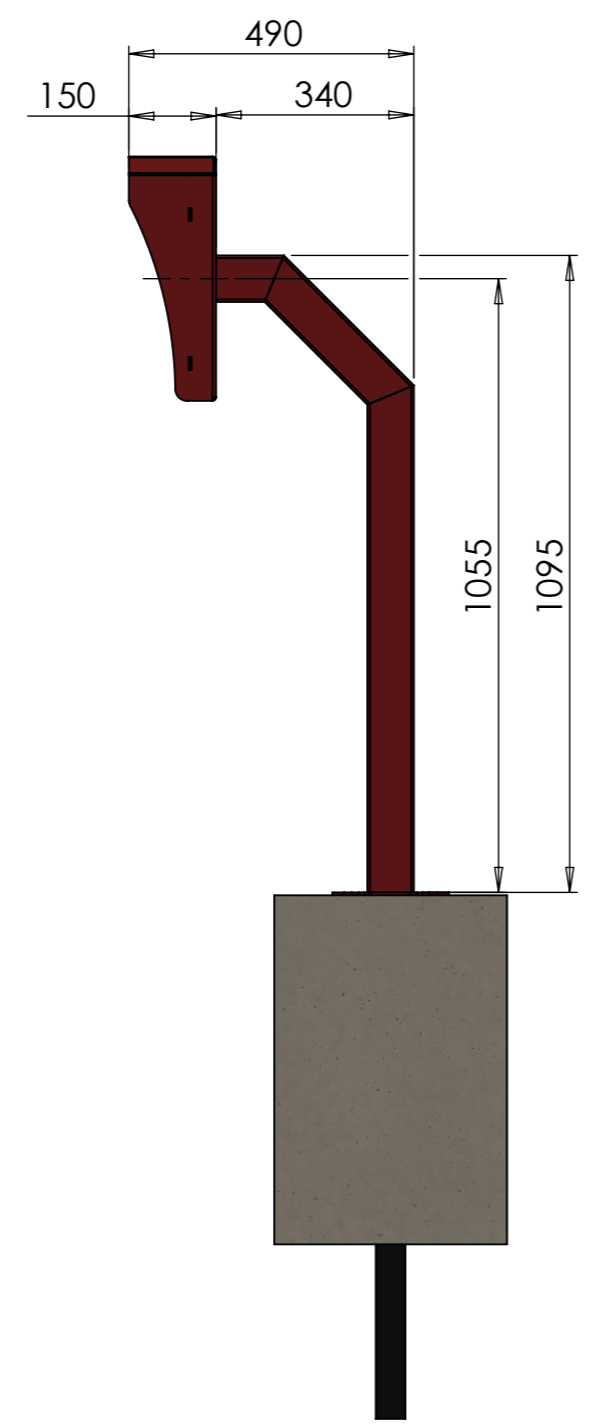
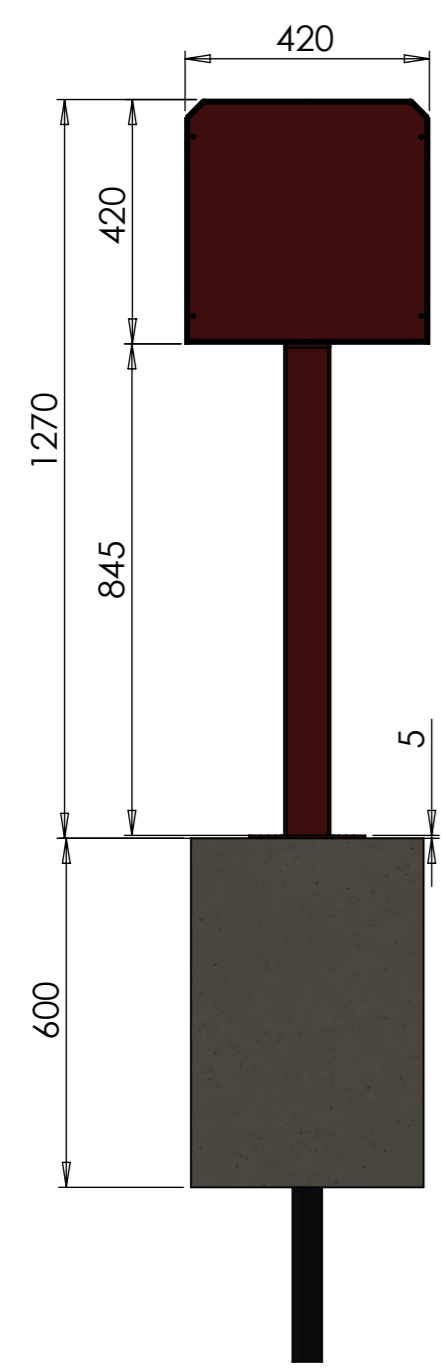


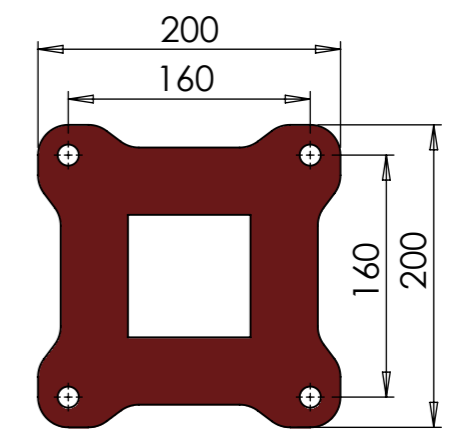
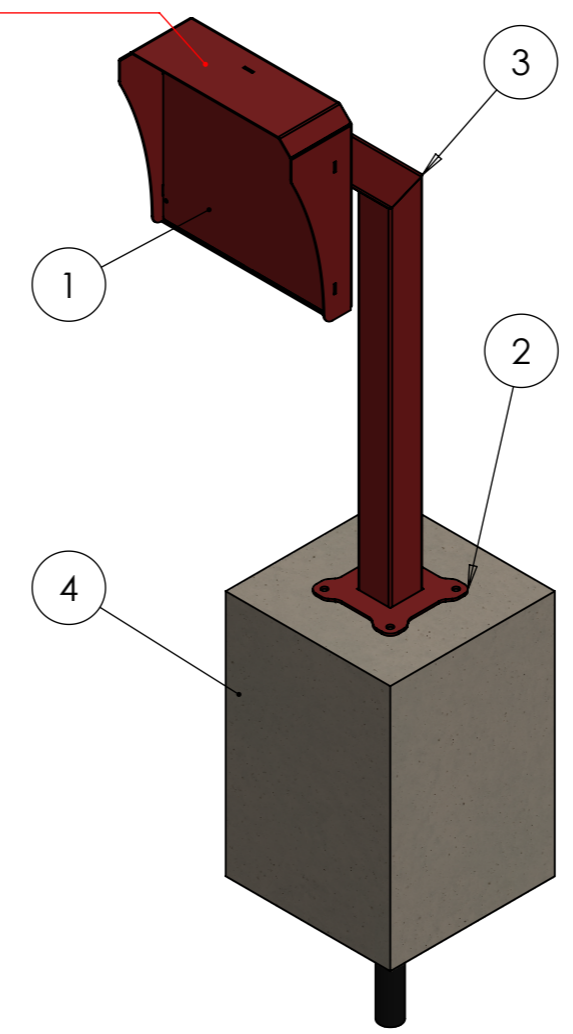
8 7 6 5 4 3 2 1

F
E
D
C
B
A

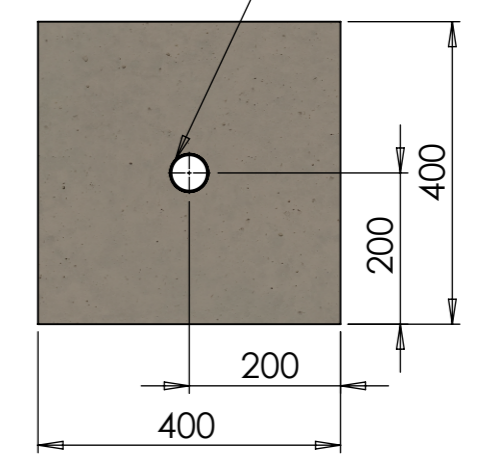
F
E
D
C
B
A



STD LARGE HEAD
(TYPE B)



Ducting central
to foundation



| ITEM NO. | PART NUMBER | DESCRIPTION | QTY. |
|----------|-------------------|-------------|------|
| 1 | D210 Ver 2.0 Head | | 1 |
| 2 | D210 Base ver 2.0 | | 1 |
| 3 | 210 cranked box | | 1 |
| 4 | 210 Foundations | | 1 |

| | | | | | |
|-----------------------------------------------------------------------------------------------------------------------|-----------|---------|--|------------------------------------|--|
| UNLESS OTHERWISE SPECIFIED: DIMENSIONS ARE IN MILLIMETERS SURFACE FINISH: TOLERANCES: LINEAR: ANGULAR: | | FINISH: | | DEBURR AND BREAK SHARP EDGES | |
| NAME | SIGNATURE | DATE | | | |
| DRAWN | | | | | |
| CHK'D | | | | | |
| APPV'D | | | | | |
| MFG | | | | | |
| Q.A | | | | MATERIAL: | |
| | | | | WEIGHT: | |

DO NOT SCALE DRAWING REVISION

Standard D210 V2.0

TITLE:
**D210 Standard cranked
(A Head)**

DWG NO. **D210 Ver 2.0** A3

SCALE:1:20 SHEET 4 OF 12