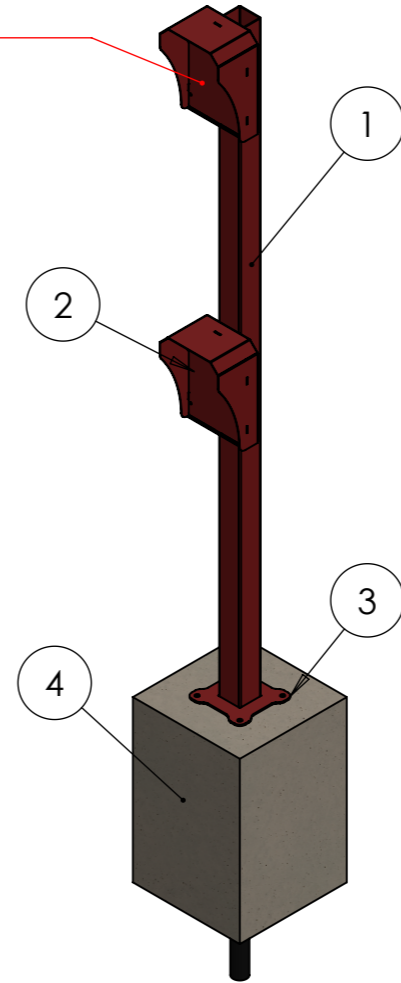
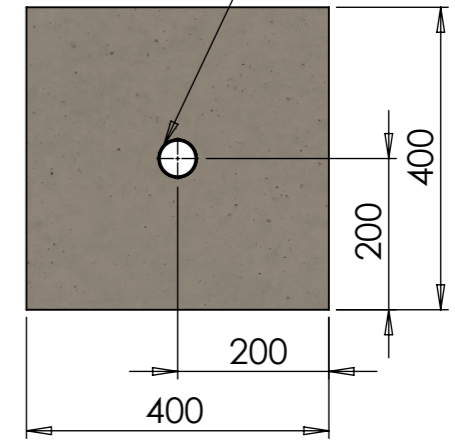


STD SMALL HEAD  
(TYPE A)



Ducting central  
to foundation



ITEM NO.	PART NUMBER	Description	QTY.
1	D210 Ver 2.0 Head		2
2	D210 80 Box		1
3	D210 Base ver 2.0		1
4	210 Foundations		1

UNLESS OTHERWISE SPECIFIED: DIMENSIONS ARE IN MILLIMETERS SURFACE FINISH: TOLERANCES: LINEAR: ANGULAR:			FINISH:		DEBURR AND BREAK SHARP EDGES		DO NOT SCALE DRAWING		REVISION			
							<b>Standard D210 V2.0</b>					
							TITLE: <b>D210 Dual height standard (A Head)</b>					
							DWG NO. <b>D210 Ver 2.0</b>				A3	
							WEIGHT:		SCALE:1:20		SHEET 5 OF 12	

	NAME	SIGNATURE	DATE			
DRAWN						
CHK'D						
APPV'D						
MFG						
Q.A						