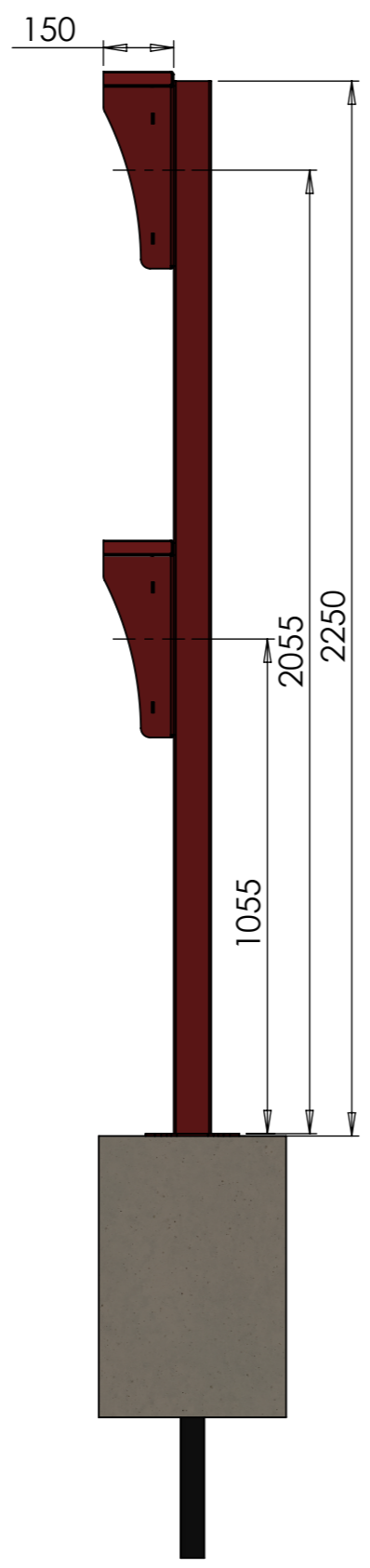
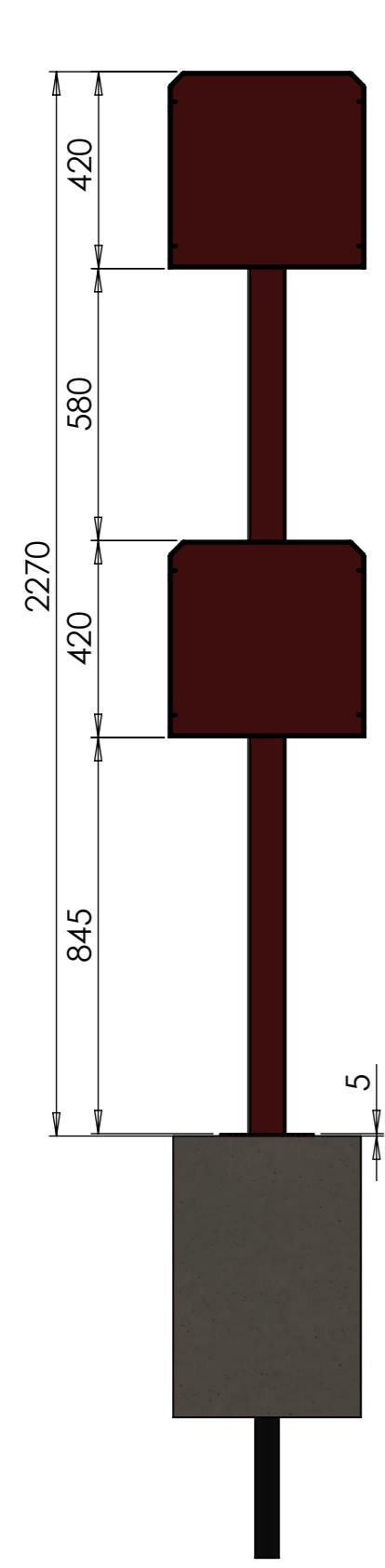
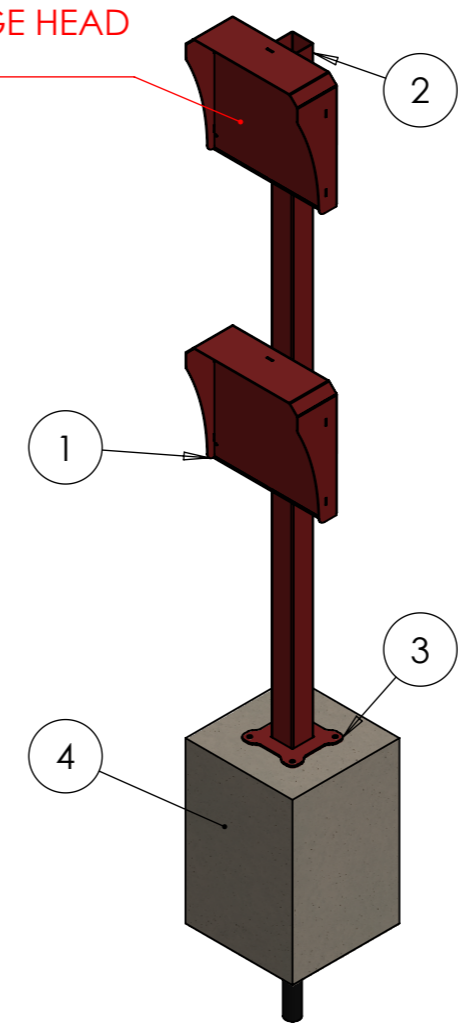


8 7 6 5 4 3 2 1

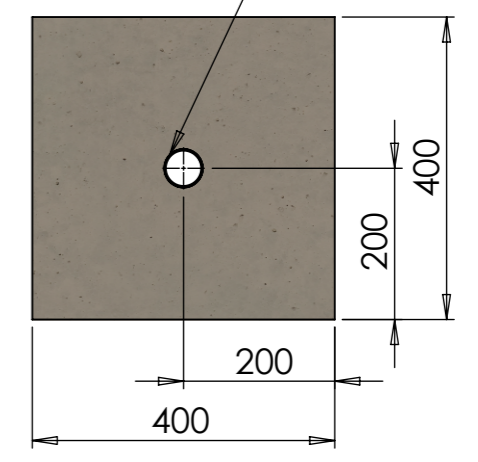
F
E
D
C
B
A



STD LARGE HEAD
(TYPE B)



Ducting central
to foundation



ITEM NO.	PART NUMBER	DESCRIPTION	QTY.
1	D210 Ver 2.0 Head		2
2	D210 80 Box		1
3	D210 Base ver 2.0		1
4	210 Foundations		1

UNLESS OTHERWISE SPECIFIED: DIMENSIONS ARE IN MILLIMETERS SURFACE FINISH: TOLERANCES: LINEAR: ANGULAR:				FINISH:		DEBURR AND BREAK SHARP EDGES		DO NOT SCALE DRAWING		REVISION			
								Standard D210 V2.0					
								TITLE: D210 Dual height standard (B Head)					
								DWG NO.		D210 Ver 2.0		A3	
								WEIGHT:		SCALE:1:20		SHEET 6 OF 12	

8 7 6 5 4 3 2 1