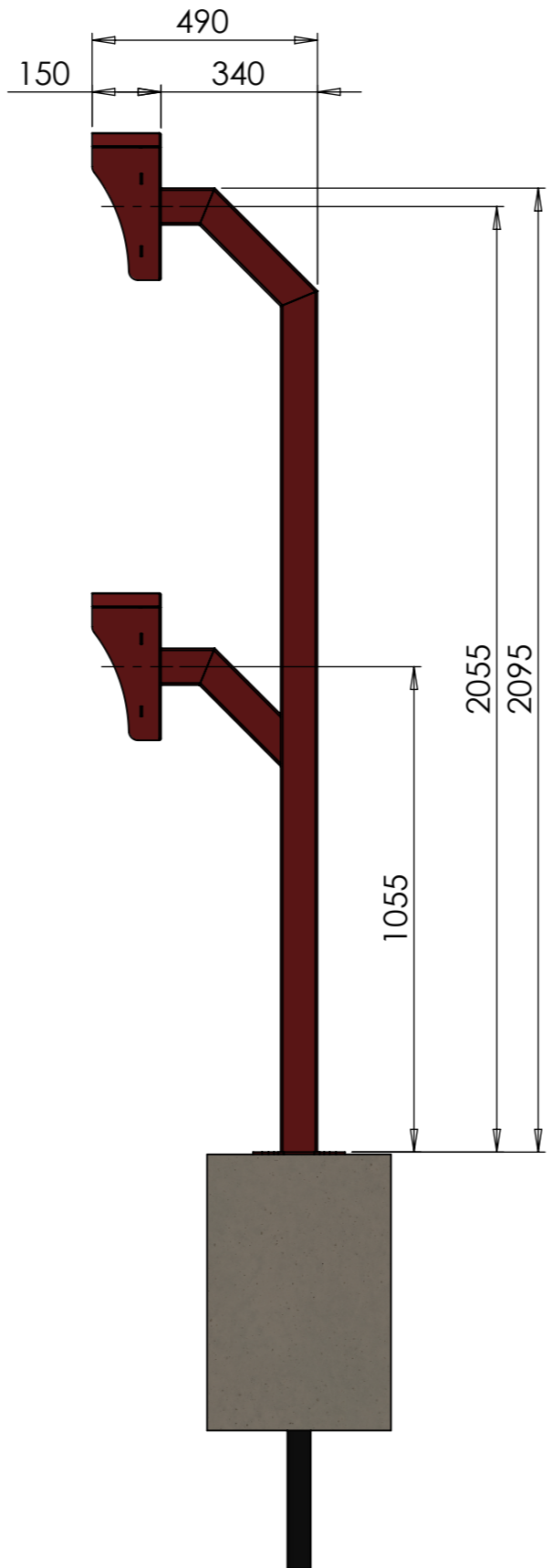
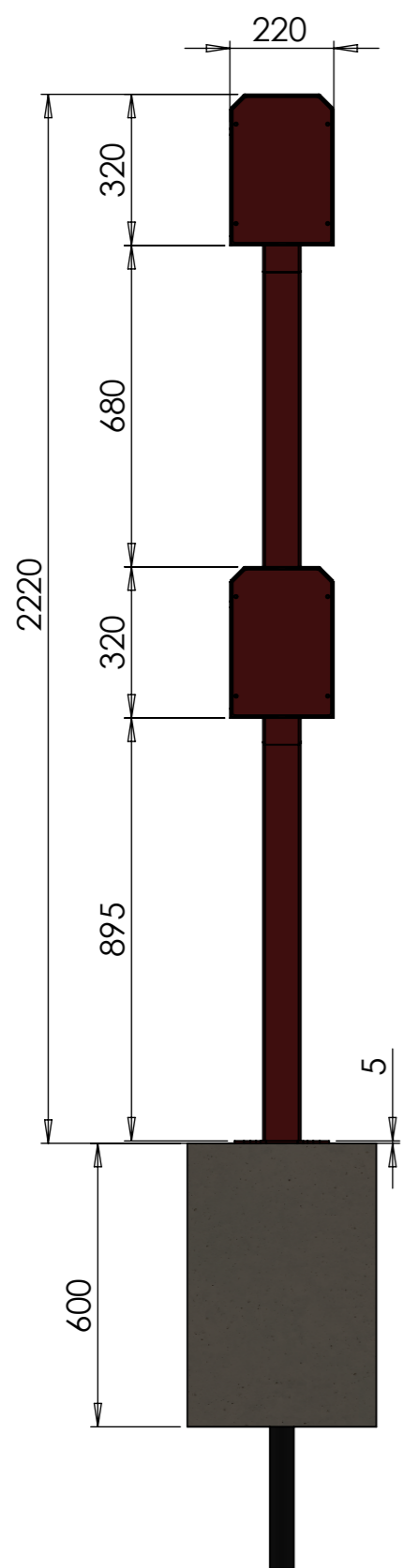
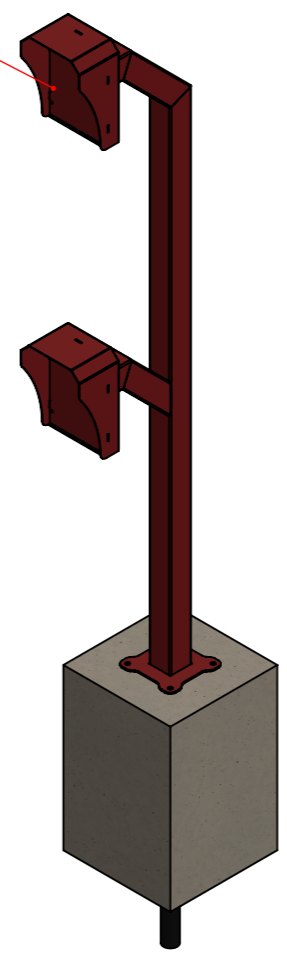


8 7 6 5 4 3 2 1

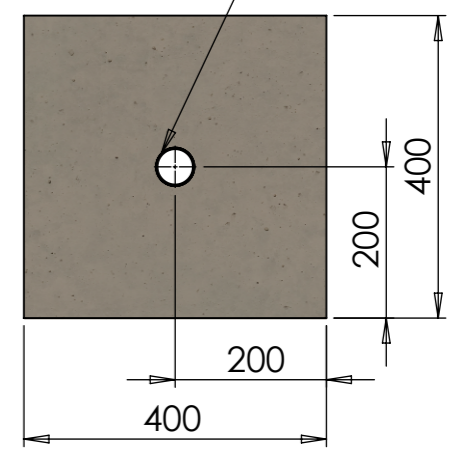
F  
E  
D  
C  
B  
A



STD SMALL HEAD  
(TYPE A)



Ducting central  
to foundation



ITEM NO.	PART NUMBER	DESCRIPTION	QTY.
1	D210 Ver 2.0 Head		2
2	D210 Base ver 2.0		1
3	DH cranked box		1
4	210 Foundations		1

UNLESS OTHERWISE SPECIFIED: DIMENSIONS ARE IN MILLIMETERS SURFACE FINISH: TOLERANCES: LINEAR: ANGULAR:		FINISH:	DEBURR AND BREAK SHARP EDGES		DO NOT SCALE DRAWING	REVISION
DRAWN				TITLE: <b>D210 Dual height cranked (B Head)</b>		
CHK'D				DWG NO. <b>D210 Ver 2.0</b>		
APPV'D				SCALE:1:20		
MFG				SHEET 7 OF 12		
Q.A				A3		
MATERIAL:				WEIGHT:		