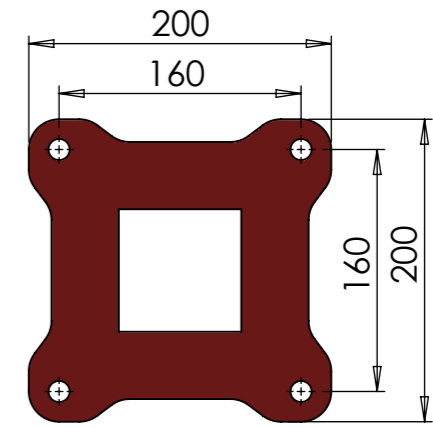
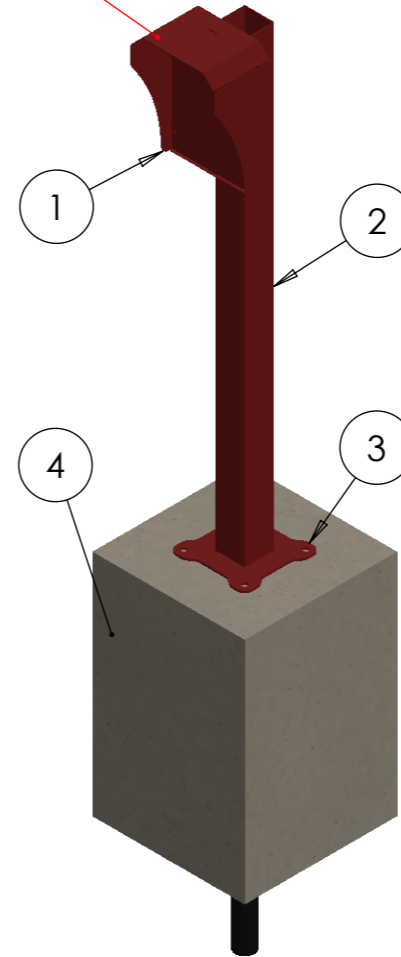
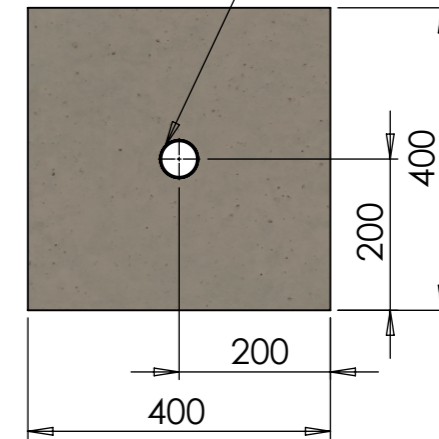


STD SMALL HEAD
(TYPE A)



Ducting central
to foundation



ITEM NO.	PART NUMBER	DESCRIPTION	QTY.
1	D210 Ver 2.0 Head		1
2	D210 80 Box		1
3	D210 Base ver 2.0		1
4	210 Foundations		1

UNLESS OTHERWISE SPECIFIED: DIMENSIONS ARE IN MILLIMETERS SURFACE FINISH: TOLERANCES: LINEAR: ANGULAR:		FINISH:	DEBURR AND BREAK SHARP EDGES		DO NOT SCALE DRAWING	REVISION
DRAWN				Standard D210 V2.0 TITLE: D210 Standard (A Head) DWG NO. D210 Ver 2.0		
CHK'D						
APPV'D						
MFG						
Q.A						
MATERIAL:		WEIGHT:		SCALE:1:20		SHEET 1 OF 12
				A3		