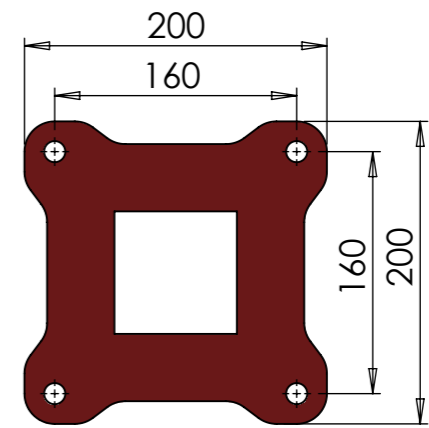
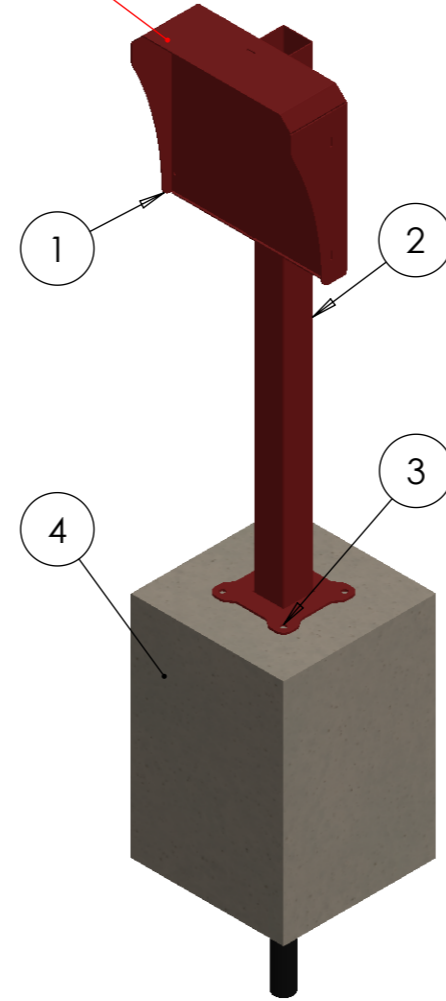
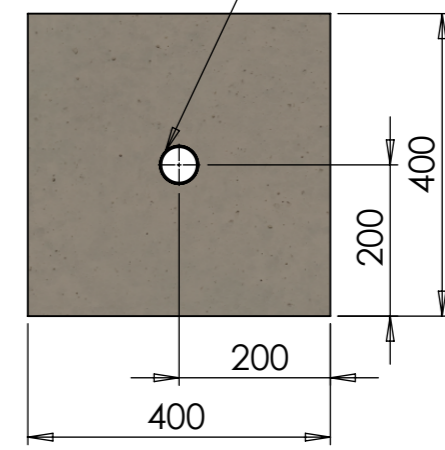


STD LARGE HEAD
(TYPE B)



Ducting central
to foundation



ITEM NO.	PART NUMBER	DESCRIPTION	QTY.
1	D210 Ver 2.0 Head		1
2	D210 80 Box		1
3	D210 Base ver 2.0		1
4	210 Foundations		1

UNLESS OTHERWISE SPECIFIED: DIMENSIONS ARE IN MILLIMETERS SURFACE FINISH: TOLERANCES: LINEAR: ANGULAR:				FINISH:		DEBURR AND BREAK SHARP EDGES		DO NOT SCALE DRAWING		REVISION	
								Standard D210 V2.0			
								TITLE: D210 Standard (B Head)			
DRAWN						MATERIAL:		DWG NO.		A3	
CHK'D						WEIGHT:		SCALE:1:20		SHEET 2 OF 12	
APPV'D											
MFG											
Q.A											